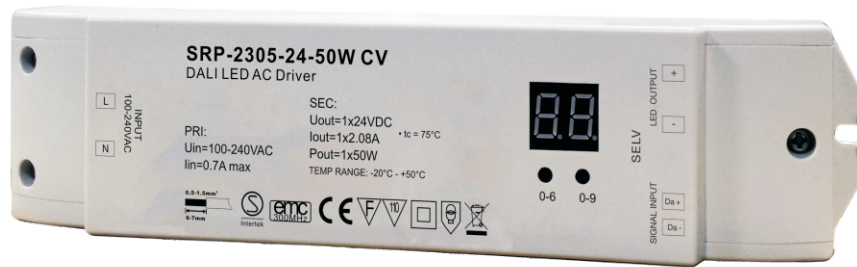


# DALI Dimming Driver

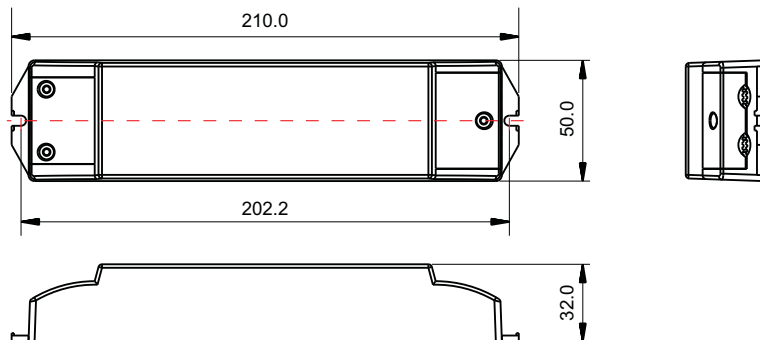
SRP-2305-24-50W CV



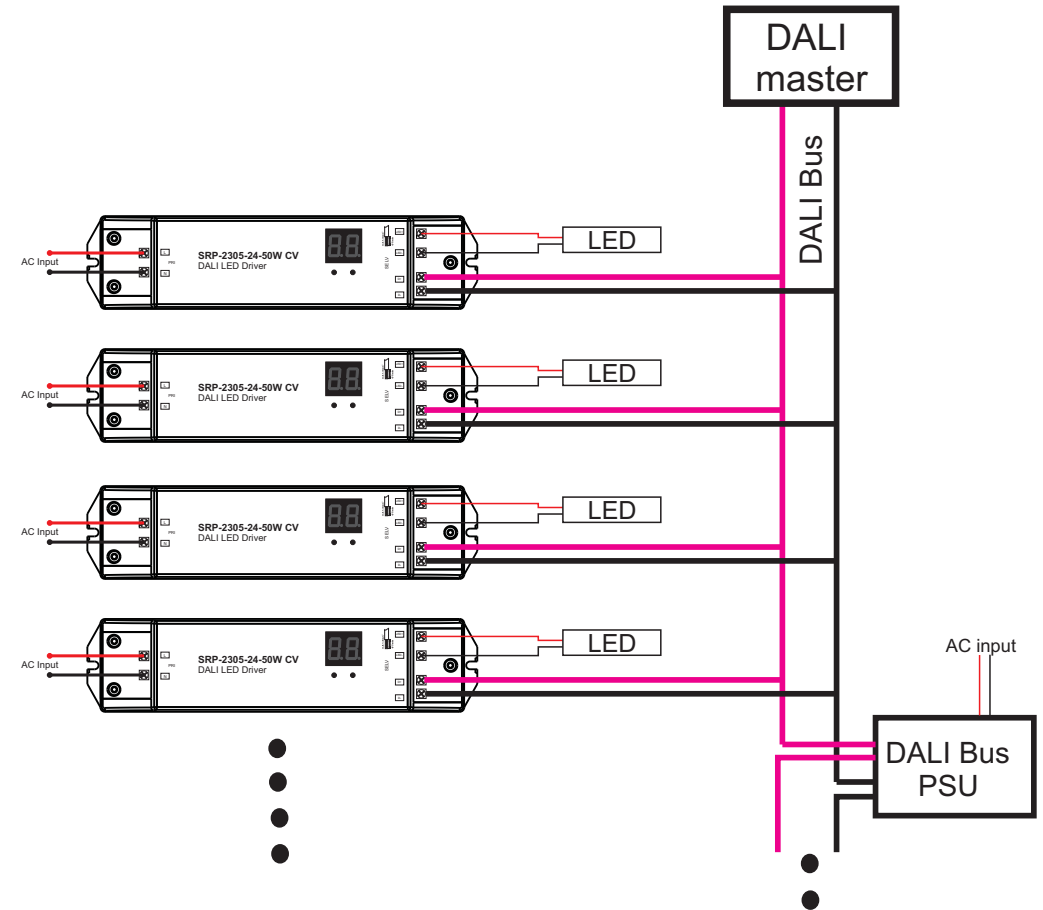
## Parameter

Part No.	Input Voltage	Output Voltage	Output Power	Output Current
SRP-2305-12-50W CV	100-240VAC	1x12V DC	1x50W	1x4.16A
SRP-2305-24-50W CV	100-240VAC	1x24V DC	1x50W	1x2.08A
SRP-2305-36-50W CV	100-240VAC	1x36V DC	1x50W	1x1.38A

## Product Size



## Wire diagram



## Operation

- Do wiring according to connection diagram
- The DALI addresses can be assigned by DALI master automatically, or be set manually by hand via

## Safety & Warnings

- The product shall be installed and serviced by a qualified person.
- IP20. Please avoid the sun and rain. When installed outdoors, please ensure it is mounted in a water proof enclosure.
- Always be sure to mount this unit in an area with proper ventilation to avoid overheating.
- Please check if the output voltage of any LED power supplies used comply with the working voltage of the product.
- Never connect any cables while power is on and always assure correct connections to avoid short circuits before switching on.
- Please ensure that the cable is secured tightly in the connector
- For update information please consult your supplier.

## Warranty Agreement

1) We provide lifelong technical assistance with this product:

- 5-year warranty. We print date on every products, for example :1125 means year 2011, week 25. The warranty is for free repair or replacement and covers manufacturing faults only.

- For faults beyond the 3-year warranty we reserve the right to charge for time and parts.

2) Limited Warrenty

- Any defects caused by wrong operation.

- Any damages caused by unauthorized removal, maintenance, modifying, incorrect connection and replacement of chips.

- Any damages due to transportation, vibration etc. after purchase.

- Any damages caused by earthquake, fire, lightning, pollution and abnormal voltage.

- Any damages caused by negligence, inappropriate storing at high temperatures and humidity or near harmful chemicals.

- Product has been updated

3) Repair or replacement as provided under this warranty is the exclusive remedy to the customer.