

# DALI dimmer

Model:SR-2303xx series



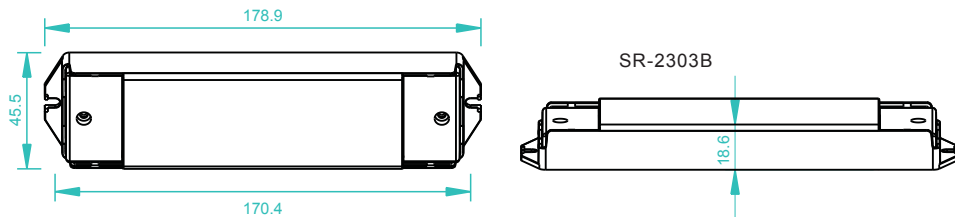
## Feature

- Match all DALI system in the market
- Manual /automatically DALI address setting
- DALI address digital indicate
- Four channels, can set addresses from one to four.
- Compatible with SR-2400TL,SR-2400TG,SR-2400TS,SR-2400LC,SR-2400GC,SR-2400SC and any good quality DALI Master

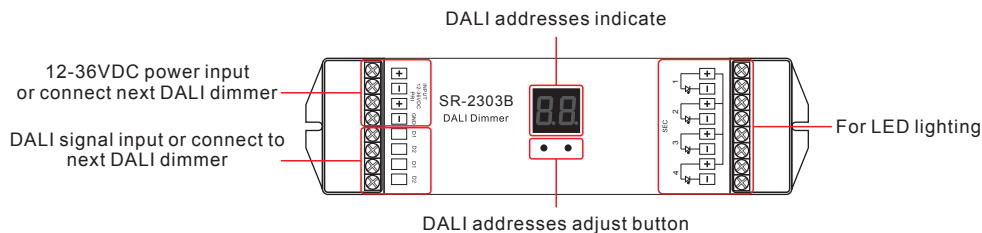
## Parameter

Part No.	Input Voltage	Output Current	Output Power	Remarks
SR-2303B	12-36VDC	4x5A	4x(60-180)W	Constant voltage
SR-2303BEA	12-36VDC	4x8A	4x(96-288)W	Constant voltage
SR-2315B	12-36VDC	4x350mA	4x(4.2-12.6)W	Constant current
SR-2317B	12-36VDC	4x700mA	4x(8.4-25.2)W	Constant current

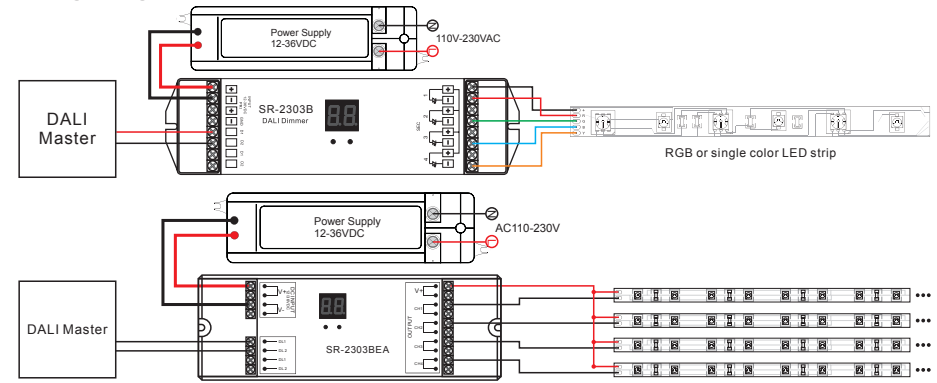
## Product Size



## Brief introduction of buttons



## Wiring diagram



## Operation

### Setting DALI address

a. Manual: Long press any one button---digital address will flicker---short press button to set address we want---long press any button to confirm.



- 1
- 2

b. Long press two button together we can change the address from 1A to 4A of the four channels  
 For example, when we set address to 22  
 When select 1A, all four channels will be same address 22.  
 When select 2A, channel one and channel three will same address 22, channel two and channel four will be 23.  
 When select 3A, channel 1,2,3 will be address 22, 23, 24, and channel 4 address is also 24  
 When select 4A, channel 1, 2, 3,4 will be address 22,23,24,25.

c. DALI master setting: SR-2303B Series can also be setting address by all DALI masters which possesses this function. The specific operation can refer to DALI master manual.

## Safety & Warnings

- 1) The product shall be installed and serviced by a qualified person.
- 2) IP20. Please avoid the sun and rain. When installed outdoors, please ensure it is mounted in a water proof enclosure.
- 3) Always be sure to mount this unit in an area with proper ventilation to avoid overheating.
- 4) Please check if the output voltage of any LED power supplies used comply with the working voltage of the product.
- 5) Never connect any cables while power is on and always assure correct connections to avoid short circuits before switching on.
- 6) Please ensure that the cable is secured tightly in the connector
- 7) For update information please consult your supplier.

## Warranty Agreement

1) We provide lifelong technical assistance with this product:

- 3-year warranty. We print date on every products, for example :1125 means year 2011, week 25. The warranty is for free repair or replacement and covers manufacturing faults only.

- For faults beyond the 3-year warranty we reserve the right to charge for time and parts.

2) Limited Warrenty

- Any defects caused by wrong operation.

- Any damages caused by unauthorized removal, maintenance, modifying, incorrect connection and replacement of chips.

- Any damages due to transportation, vibration etc. after purchase.

- Any damages caused by earthquake, fire, lightning, pollution and abnormal voltage.

- Any damages caused by negligence, inappropriate storing at high temperatures and humidity or near harmful chemicals.

- Product has been updated

3) Repair or replacement as provided under this warranty is the exclusive remedy to the customer.